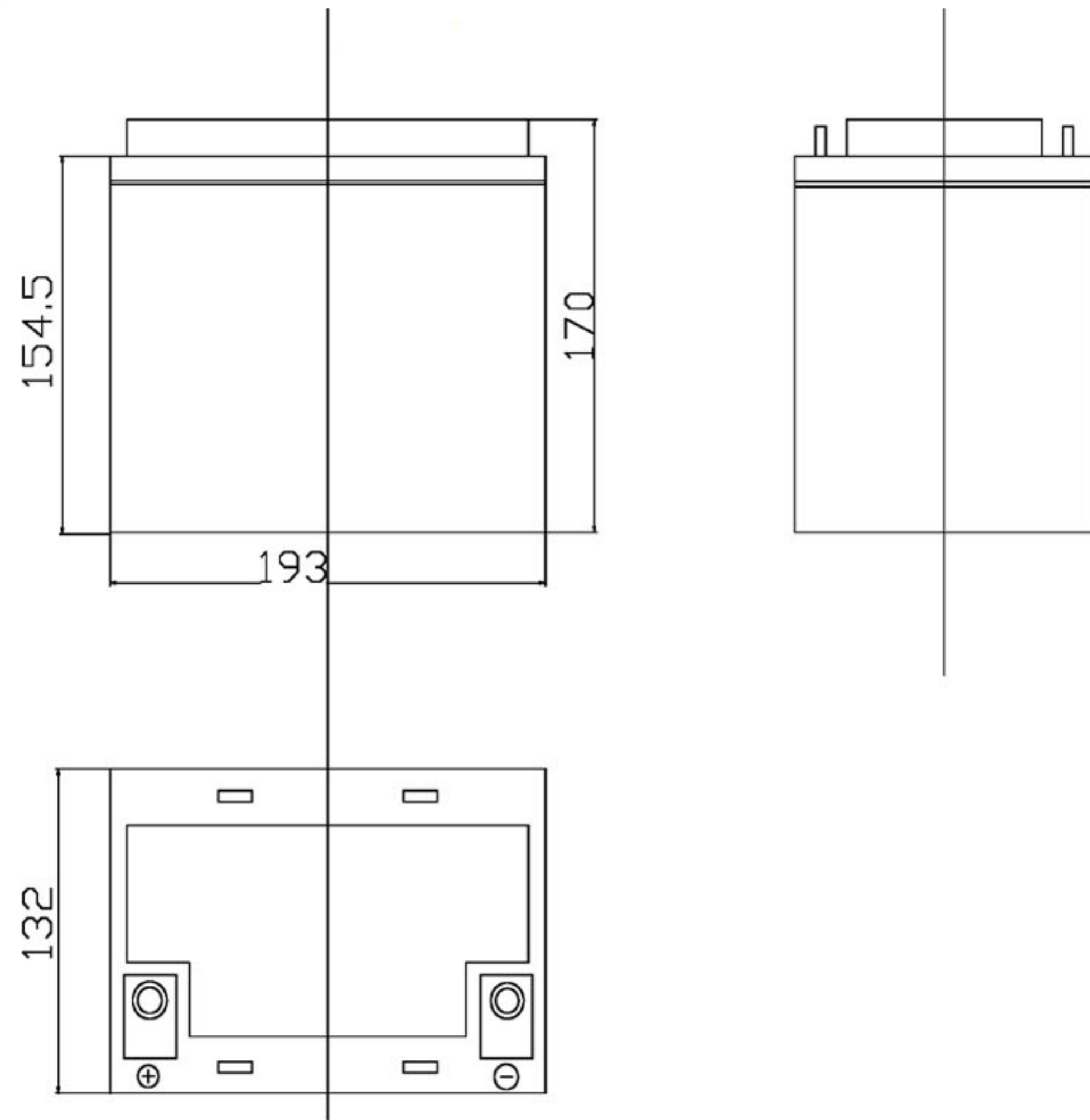


● 6FM33D (RLE12350)

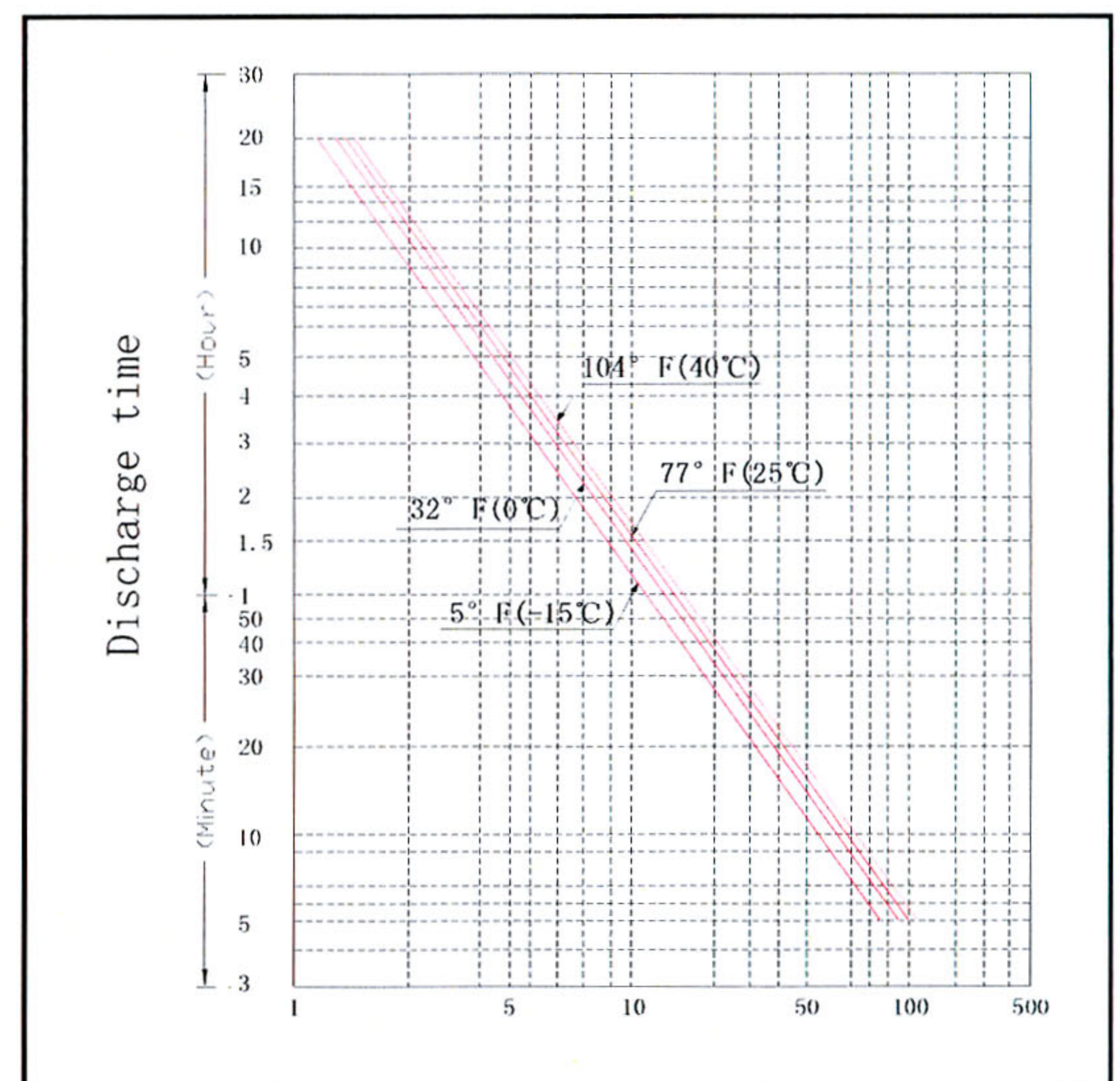
Edited by Foxit PDF Editor
Copyright (c) by Foxit Software Company, 2004
For Evaluation Only.



Specification

Nominal Voltage		12V
Rated Capacity (20 hour rate)		35AH
Dimensions	Total Height (with terminals)	171mm (6.73in)
	Height	171mm (6.73in)
	Length	193mm (7.60in)
	Width	132mm (5.20in)
Weight		APPROX12.5KG(27.5lbs)

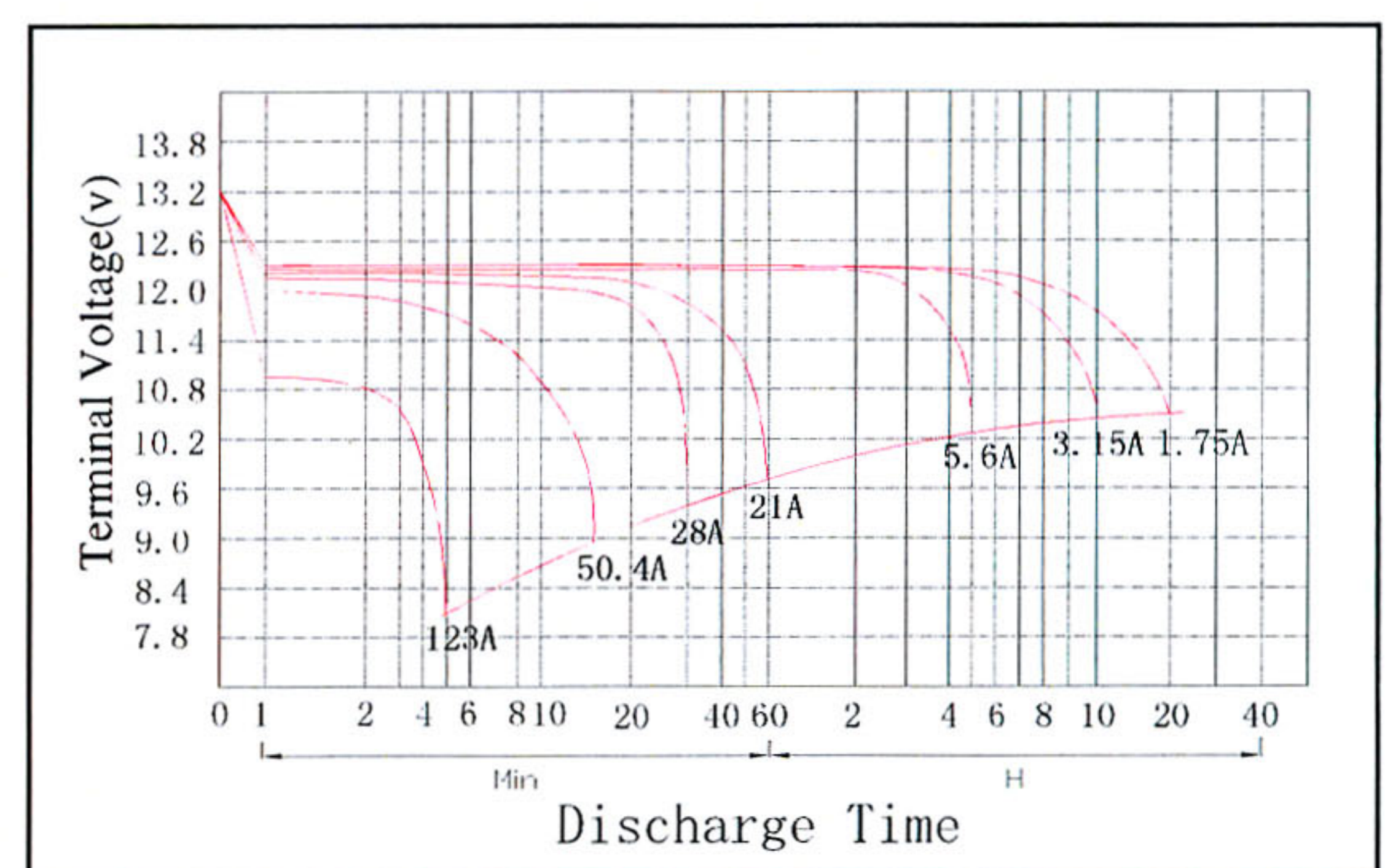
Duration of discharge vs. Discharge current



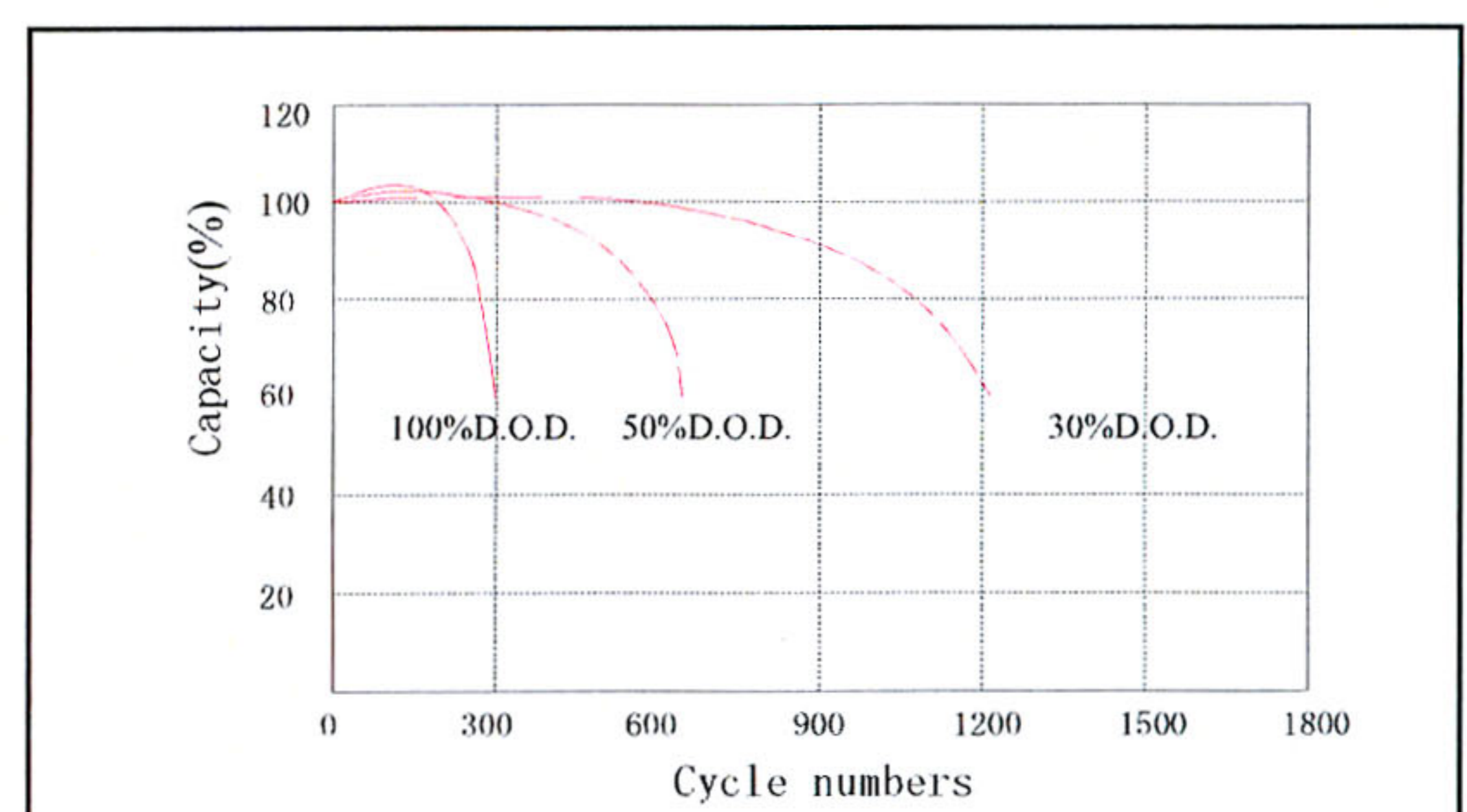
Characteristic

Capacity 77°F (25°C)	20 hour rate (1.4A)	35.0AH
	10 hour rate (2.52A)	31.5AH
	5 hour rate (4.48A)	28.0AH
	1 hour rate (16.8A)	21.0AH
	15 min rate (50.4A)	14.8AH
Internal Resistance	Full charged Battery 77°F (25°C)	6mΩ
Capacity affected by Temperature (20 hour rate)	104°F (40°C)	102%
	77°F (25°C)	100%
	32°F (0°C)	85%
	5°F (-15°F)	65%
Self-Discharge 77°F (25°C)	Capacity after 3 month storage	90%
	Capacity after 6 month storage	80%
	Capacity after 12 month storage	60%
Max. Discharge Current 77°F (25°C)	350A (5S)	
Terminal	Standard	M6
	Optional	
Charging (Constant Voltage)	Cycle	Initial Charging Current 7.0A or small 14.4~15.0V/77°F (25°C)

Discharge characteristics 77°F (25°C)



Cycle lifes



Note: The above data are average values and can be obtained within 3 charge/discharge cycles. These are not minimum values.